

**HITSA**

WE SUPPLY OUTDOOR SPACES

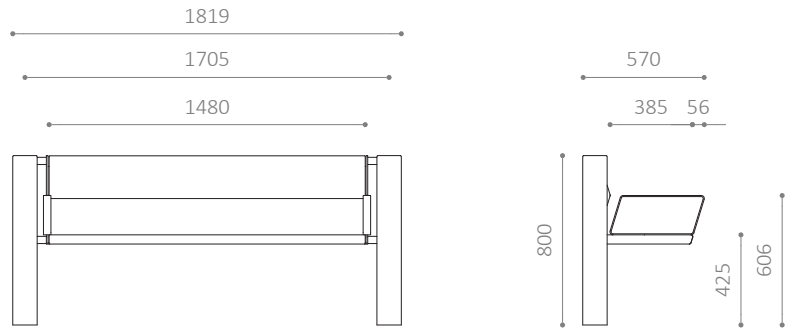
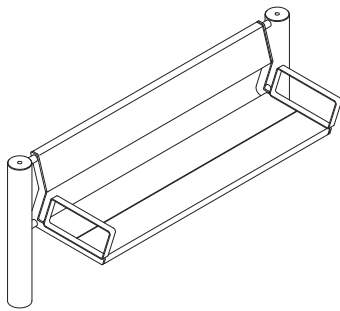


## HITSA-SAFE Park Bench

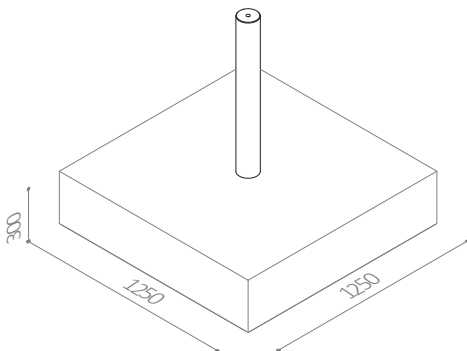
- Hostile vehicle mitigation for city centres, pedestrian zones, entrance areas, etc.
- Certified according to PAS 68 and IWA 14
- NORD bench design by C.F. Møller Design.
- Available with OrganoWood or FSC®-certified mahogany
- Also available in any RAL colour
- Removable – easy to install and replace



## HITSA-SAFE NORD BN



## HITSA-SAFE BASE



## HITSA-SAFE Park Bench

The HITSA-SAFE bench protects urban spaces against vehicle-based threats, while at the same time adding a positive and practical feature to the urban environment. This Danish-design urban furniture is by C.F. Møller Design, with the seat and back available in two types of wood. The

HITSA-SAFE bench is removable, can be supplied in any RAL colour and is easy to install and replace.

HITSA-SAFE products have been certified according to PAS 68 and IWA 14 as capable of stopping vehicles of up to 1500 kg travelling at 48 km/h.

## HITSA-SAFE PARK BENCH

- Supplied with NORD bench
- Supplied with STERKUR Ø 114 mm post
- Supplied with armrest
- Also available in any RAL colour

## MATERIALS:

- OrganoWood or oil-treated FSC®-certified mahogany
- Also available in untreated mahogany (FSC®-certified)
- Hot-dip galvanised steel
- Also available in powder-coated, hot-dip galvanised steel

## DIMENSIONS:

Base slab with central post: 1250 x 1250 mm

Post, STERKUR: H 800, Ø 114 mm

Frame: 43 x 8 mm flat steel

Slats: 207 x 43 mm

## INSTALLATION:

- Seating height: 450 mm
- Posts are installed on a HITSA-SAFE Base using a locking system
- Prepared installation hole with ground compacted in accordance with certification requirements LxWxH: 1500 x 1500 x 300 mm
- Distance from ground to top of post: 800 mm



The mark of responsible forestry



HITSA A/S  
Albuen 37  
DK 6000 Kolding  
+45 75 57 41 55  
hitsa@hitsa.dk  
www.hitsasafe.com

**HITSA**  
WE SUPPLY OUTDOOR SPACES