

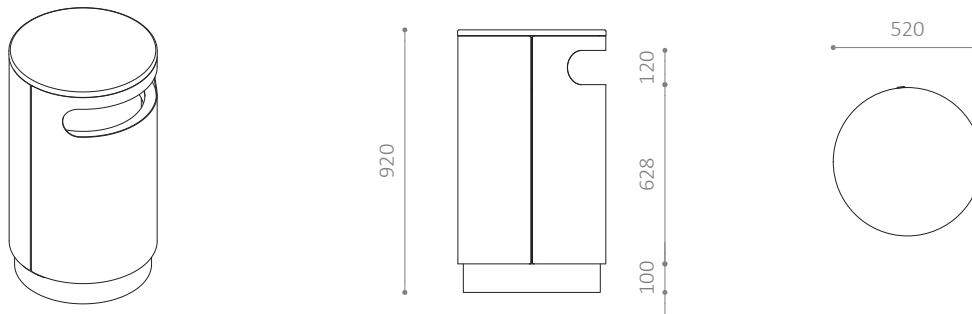


## HITSA-SAFE Litter Bin

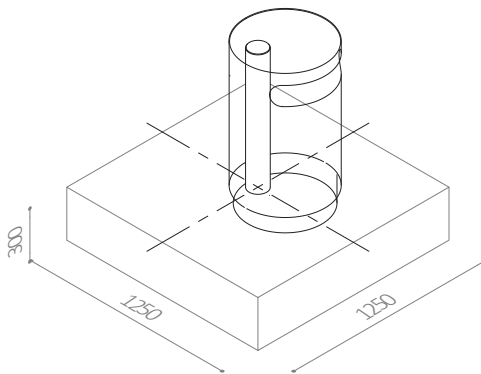
- Hostile vehicle mitigation for city centres, pedestrian zones, entrance areas, etc.
- Certified according to PAS 68 and IWA 14
- FJORDPARK design by VE2
- Single side opening
- Also available in any RAL colour
- Removable – easy to install and replace



## HITSA\_SAFE Fjordpark 4 plus 1s



## HITSA-SAFE BASE



## HITSA-SAFE Litter Bin

The HITSA-SAFE litter bin protects urban spaces against vehicle-based threats, while at the same time adding a positive and practical feature to the urban environment. Designed by VE2 with a single side opening and the bag attached to the hatch for easy emptying.

The HITSA-SAFE litter bin is removable, can be supplied in any RAL colour and is easy to install and replace.

HITSA-SAFE products have been certified according to PAS 68 and IWA 14 as capable of stopping vehicles of up to 1500 kg travelling at 48 km/h.

## HITSA-SAFE LITTER BIN

- Supplied with FJORDPARK 4 PLUS litter bin
- 80-litre capacity with single side opening
- The casing is available smooth, perforated or in your own design
- Left-hinged hatch with bag holder for easy emptying
- Optional extra: Integrated ashtray and compartment for returnable bottles/cans
- Also available in any RAL colour
- Opens with a triangular key – locks automatically when closed

## MATERIALS:

- Hot-dip galvanised steel and aluminium
- Also available in corten steel (casing and top)
- Also available in powder-coated, hot-dip galvanised steel and aluminium

## DIMENSIONS:

Base slab with central bollard: 1250 x 1250 mm  
Hatch/casing: 3 mm steel plate  
Top: 3 mm spun aluminium  
Socle: Ø 480 mm

## INSTALLATION:

- The litter bin is installed on a HITSA-SAFE Base using a locking system
- Prepared installation hole with ground compacted in accordance with certification requirements LxWxH: 1500 x 1500 x 300 mm
- Distance from ground to top edge: 975 mm



HITSA A/S  
Albuen 37  
DK 6000 Kolding  
+45 75 57 41 55  
hitsa@hitsa.dk  
www.hitsasafe.com

**HITSA**  
WE SUPPLY OUTDOOR SPACES