



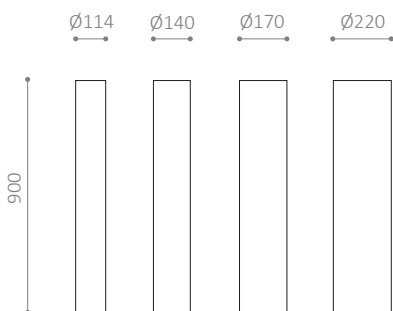
HITSA-SAFE Bollard

- Hostile vehicle mitigation for city centres, pedestrian zones, entrance areas, etc.
- Certified according to PAS 68 and IWA 14
- Available in multiple designs
- Also available in any RAL colour
- Removable – easy to install and replace

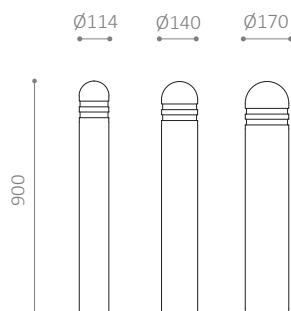


HITSA-SAFE

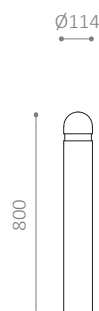
STERKUR



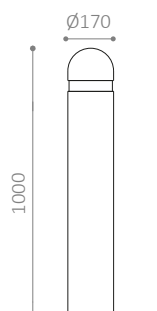
STOLTUR



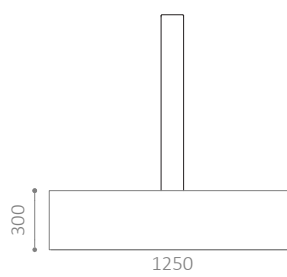
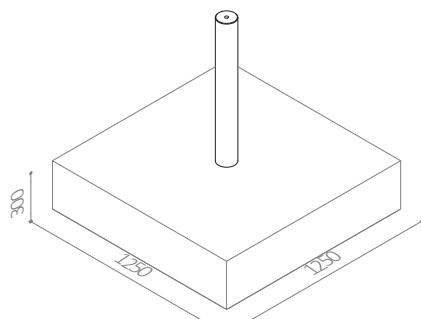
LENTA



LENTA BIG



HITSA-SAFE BASE



HITSA-SAFE Bollard

The HITSA-SAFE bollard is a Danish-designed bollard that blends naturally into the urban landscape, while protecting against vehicle-based threats. It can be slender and elegant in appearance, with size options from \varnothing 114 mm.

The HITSA-SAFE bollard matches our standard bollards. It is removable, can be supplied in any RAL colour and is easy to install and replace.

HITSA-SAFE products have been certified according to PAS 68 and IWA 14 as capable of stopping vehicles of up to 1500 kg travelling at 48 km/h.

HITSA-SAFE BOLLARD

- Flat or round top
- Removable bollard
- Optional extra: Red, yellow or white reflective strip
- Optional extra: Eyes, shackles and chains
- Also available in any RAL colour

MATERIALS:

- Hot-dip galvanised steel
- Also available in powder-coated, hot-dip galvanised steel

DIMENSIONS:

Base slab with central bollard: 1250 x 1250 mm
STERKUR bollard: H 900, \varnothing 114/140/170/220 mm tubular steel
STOLTUR bollard: H 900, \varnothing 114/140/170 mm tubular steel
LENTA bollard: H 800, \varnothing 114/140 mm tubular steel
LENTA BIG bollard: H 1000, \varnothing 170 mm tubular steel

INSTALLATION:

- Bollards are installed on a HITSA-SAFE Base using a locking system
- Prepared installation hole with ground compacted in accordance with certification requirements LxWxH: 1500 x 1500 x 300 mm
- Distance from ground to centre of wheel holder: 350 mm



HITSA A/S
Albuen 37
DK 6000 Kolding
+45 75 57 41 55
hitsa@hitsa.dk
www.hitsasafe.com

HITSA
WE SUPPLY OUTDOOR SPACES