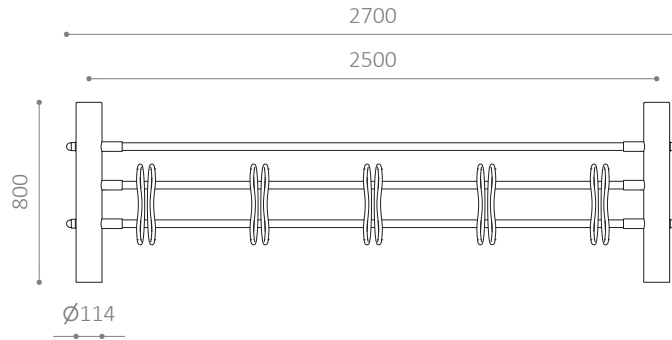
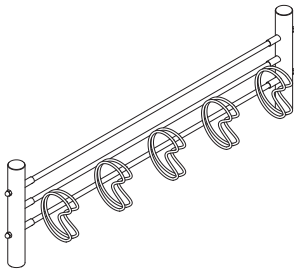


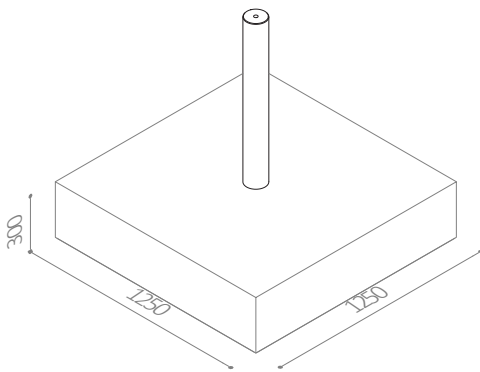
HITSA-SAFE Bike Rack

- Hostile vehicle mitigation for city centres, pedestrian zones, entrance areas, etc.
- Certified according to PAS 68 and IWA 14
- Available with NOLI, NOAH and HH20 BIG front-wheel holders
- Also available in any RAL colour
- Removable – easy to install and replace

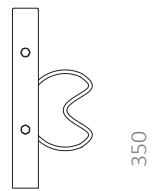




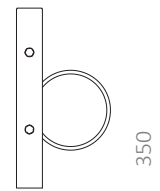
HITSA-SAFE BASE



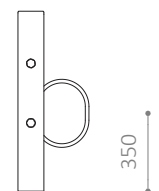
HITSA-SAFE NOLI



HITSA-SAFE NOAH



HITSA-SAFE HH20 BIG



HITSA-SAFE Bike Rack

The HITSA-SAFE bike rack is a vehicle security barrier that also serves a practical purpose for users of the urban space. It helps to create a positive urban environment, while protecting against vehicle-based threats.

The HITSA-SAFE bike rack is available with a selection of our standard front-wheel holders. It is removable, can be supplied in any RAL colour and is easy to install and replace.

HITSA-SAFE products have been certified according to PAS 68 and IWA 14 as capable of stopping vehicles of up to 1500 kg travelling at 48 km/h.

HITSA-SAFE BIKE RACK

- Available with NOLI, NOAH or HH20 BIG wheel holders
- Conical wheel holders suitable for all types of tyres
- Modular, so you can add as many modules as needed
- Available set at right angles (90°) or at an oblique angle (45°)
- Supplied with STERKUR Ø 114 mm bollard
- Optional extra: LOCKT lock bracket
- Also available in any RAL colour

MATERIALS:

- Hot-dip galvanised steel
- Also available in powder-coated, hot-dip galvanised steel

DIMENSIONS:

Base slab with central bollard: 1250 x 1250 mm
 Bollard, STERKUR: H 800, Ø 114 mm
 Struts: Ø 33 mm
 Wheel holders: Ø 16 mm
 Distance between bollards: c/c 2500 mm
 Distance between wheel holders: c/c 500 mm

MODULE SIZES:

- Single-sided: 5 parking spaces
- Double-sided: 10 parking spaces

INSTALLATION:

- Bollards are installed on a HITSA-SAFE Base using a locking system
- Prepared installation hole with ground compacted in accordance with certification requirements LxWxH: 1500 x 1500 x 300 mm
- Distance from ground to centre of wheel holder: 350 mm
- Distance from ground to top of bollard: 800 mm

